

# TECHNICAL MANUAL SR701RT - ACCH



SR701RT carry bag - bottom layer

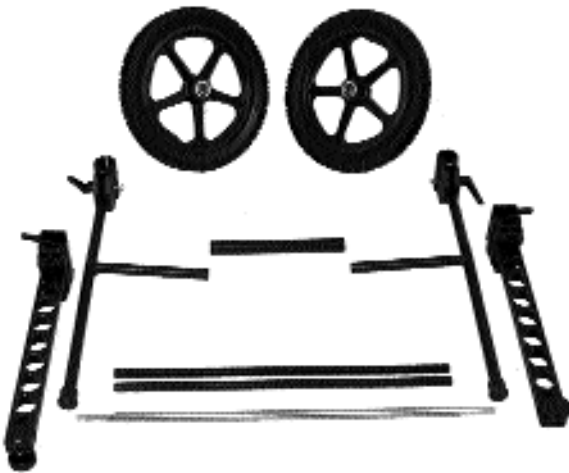


SR701RT carry bag - top layer



ACCH accessory bag

1. Carefully review the placement of component parts within the carry bag by removing the wheels.  
NOTE: Each component has its place within the carry bag.



2. Remove the above components from bag laying them out as illustrated. NOTE: Make sure you have placed the Stanchions correctly. This is accomplished by making sure the groove atop the Stanchions face inward. Also the tube assemblies will be explained later.



3. Slide the stainless steel Axle through the 3/4" hole located at the bottom of the 7 hole Stanchion to the outer most groove located on the Axle. Make sure hole at end of axle faces up and down on stanchion. Secure Axle in place by tightening knob located at bottom of Stanchion. Repeat procedure for the opposite Stanchion.



4. Stanchion assembly has been assembled correctly with grooves atop Stanchion facing inward as illustrated above.



5. Slide 26" stanchion support tube(NCO-1038) into 3/4" hole located directly above Axle as illustrated. NOTE: There is a groove located at either end of the Kickstand, this will be engaged by a stainless steel ball plunger locat-



6. Install Wheels and insert Rue pins to secure. To install Rue Pins push into hole at end of Axle and they will snap secure. To lock Rue Pins in place activate optional manual lock. To remove Rue Pins unlock and lift end of pin which has slight bend and pull.(NOTE: Rue Pins are stored in pouch.)



7. SR701RT wheel assembly is now assembled and ready to receive the assembled Support Tube Rail Assemblies.

8. There are two Support Tube Rail Assemblies, one for each clamp on the SR701RT stanchions. A rail assembly is made up of 5 parts: 2 Support Tubes (37 inches each 1-1/2 diameter), 2 Handle Sub-assemblies (the part with the nylon handle inserted in a tube) and 1 (one) Connecting Tube (20 inches 1-1/4 diameter).



Assemble the Support Tube Rails by inserting the 1 1/2 support tube installed with connector tube to the 1 1/2 support tube without connector tube. (Handle Sub Assembly should already be inserted.) until the stainless steel snap button pops into the hole in the 1-1/2 inch tubing.



9. Repeat the above steps to complete the other Support Rail Assembly.



10. You should now have two Support Rails completed as picture above. They are ready to install into the stanchion clamps.



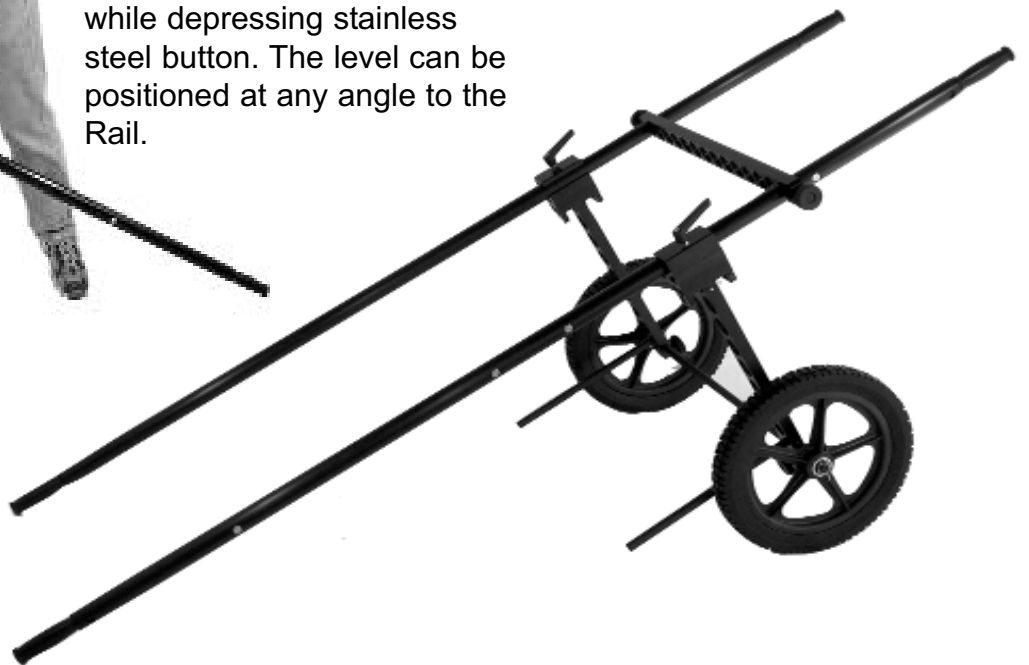
11. Prior to placing the Support Rail into the Clamp Assembly atop the Stanchion, slide the top of the Clamp back (as pictured on the left). Once the Support Rails have been placed into the bottom of the Clamp, place the top of the Clamp over the Support Rail (pictured at right). Note: the larger stainless steel snap buttons on the Support Tube Rail Assemblies should point out to the side of the stanchions.

12. There is a smaller snap button that should be used to position the Support Rail on the Stanchion Clamp. The small snap button should be visible and lined up with the slot on the top part of the Clamp. See picture above.



13. Once the small snap button is in position and the larger snap buttons are pointed to the outside the clamp can be secured by tightening the lever. Note: to position the lever after tightening, lift lever while depressing stainless steel button. The level can be positioned at any angle to the Rail.

14. Once both Support Rails are installed the unit is ready for the Kickstand and Cross Members





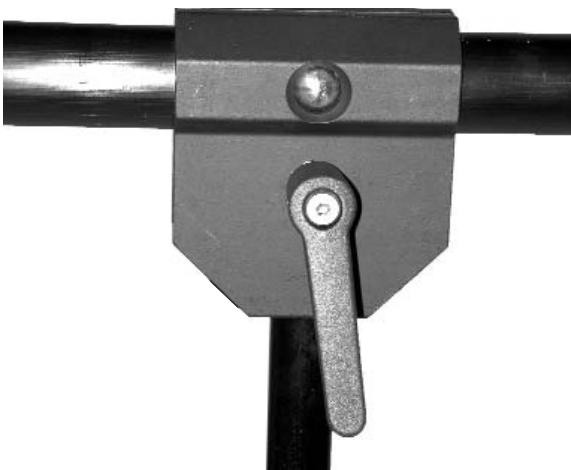
15. Begin assembly of Kickstand by sliding Kickstand collar onto 1/2 of Kickstand assembly until it engages stainless steel snap button as illustrated. Repeat this procedure with remaining half of Kickstand.



16. Kickstand assembly is now ready to be mounted to Support Rails.



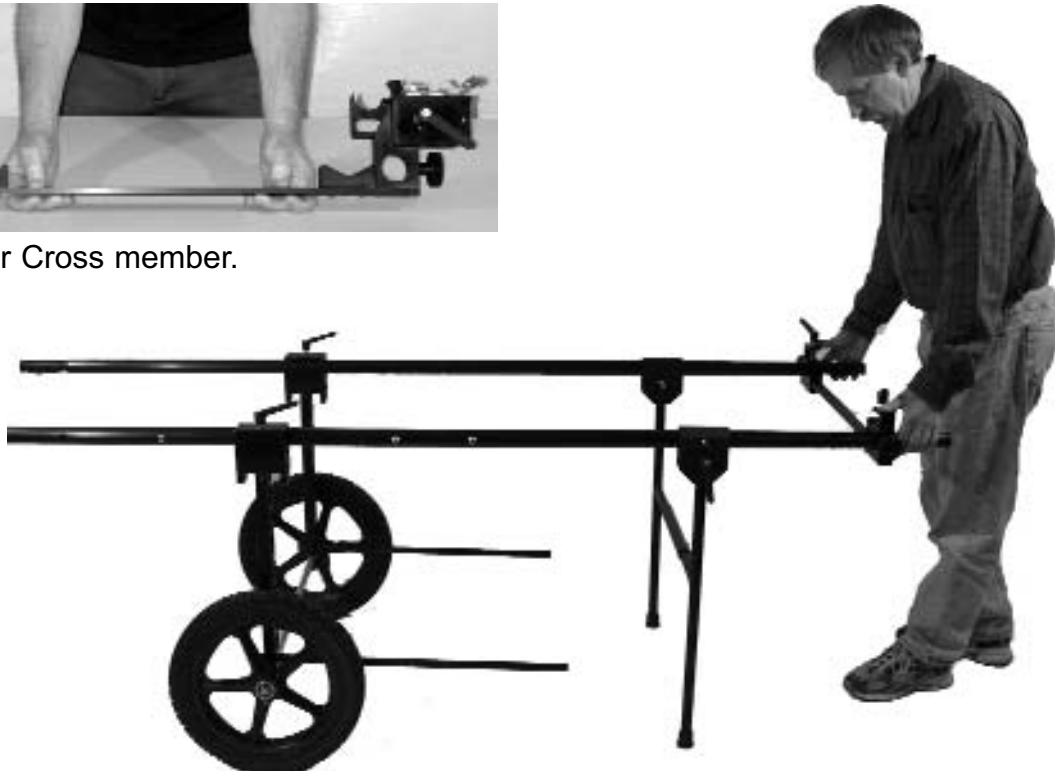
17. Loosen Clamps on Kickstand Assembly and slide onto Support Rails. Note: Keep even and position Kickstand Clamp over first Snap Button until it shows through position hole on side of clamp. See picture 18 below. Once in position tighten Clamp.



18. Correct position of Kickstand Clamp over first snap button.



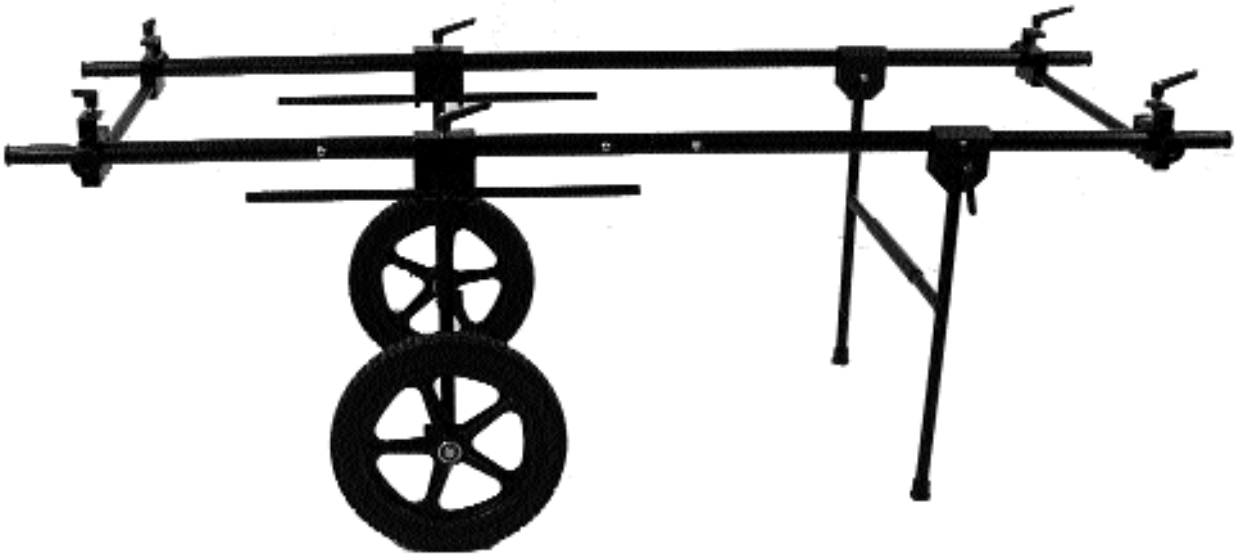
19. Stretcher Cross member.



20. Begin Stretcher Cross Member installation by loosening side knobs so the Cross Member can slide on to the Support Rails. Place on end of the Support Rail and tighten side Knob until the Cross Member is secure. Repeat for the other end.



21. Once the Kickstand and Cross Members are installed the Stanchion Support Tubes, used to position the stanchion, can be move from their bottom position to a top position. In the higher position they are out of the way and can be used to hang equipment if desired.



22. The SR701RT-ACCH is ready for use.



23. SR701RT-ACCH shown with optional Raven Stretcher. Note: Raven stretcher is not part of the SR70RT-ACCH kit.



24. SR701RT-ACCH shown with Cargo Hauler (SR731).





25. SR701RT shown with Accessory Kit ACCH.

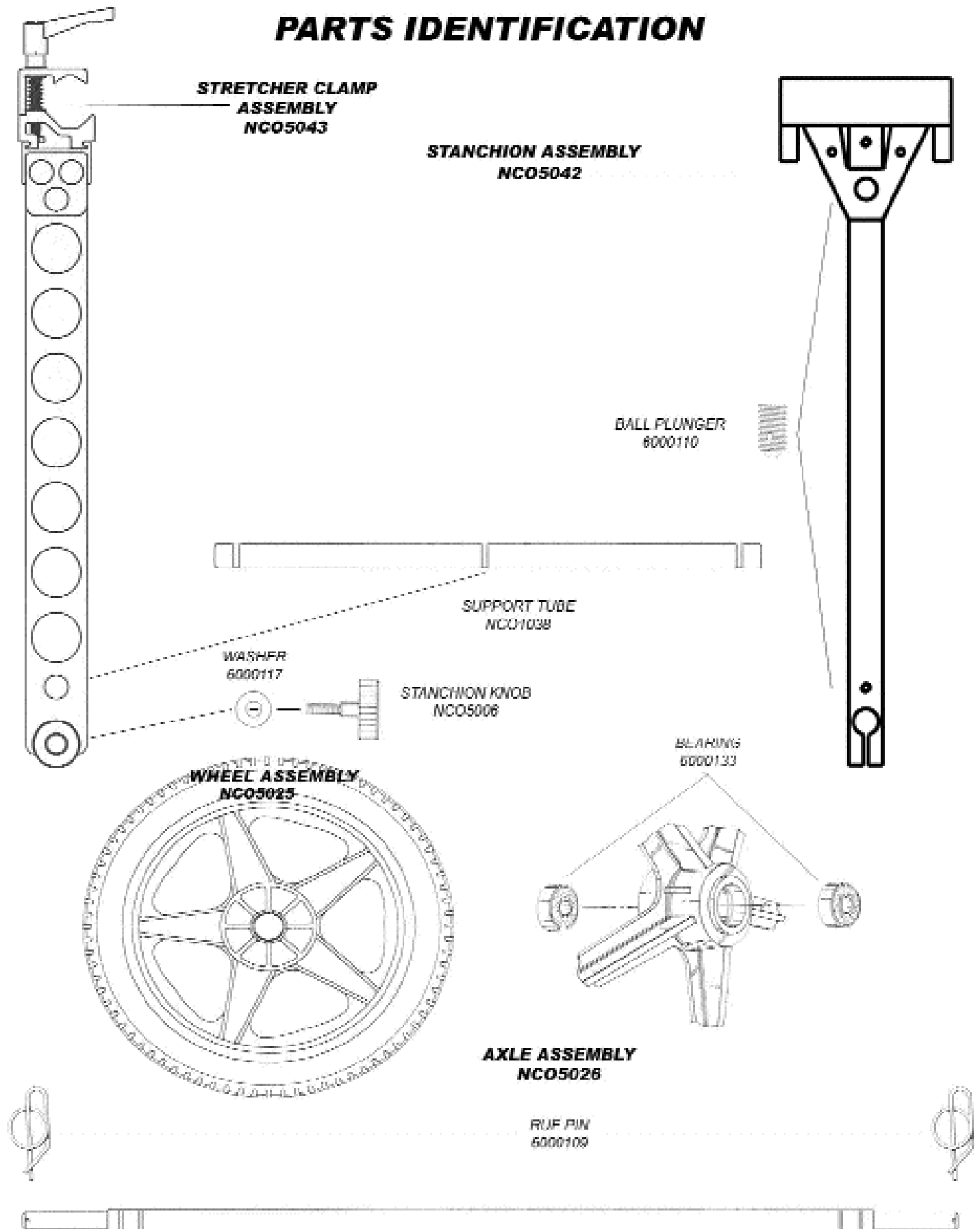
# PRODUCT SPECIFICATIONS

Model :	SR701RT	Fabric :	1000 Denier Nylon			
Weight :	60 lbs.	Components :	Stainless Steel			
Capacity :	300 lbs single axle			Height	Width	Length
Frame :	6061-T6 Aluminum	Collapsed Bagged :		8"	26"	45"
Chassis :	6061-T6 Aluminum	Transport Depth:		N/A	N/A	N/A
Wheels :	Fiberglass Reinforced Nylon	PST Stretcher surface(installed) :		32"	22"	72"
Tires :	16" X 2" Micro-cellular Urethane			Depth	Width	Length
Bearings :	Sealed 440 Stainless Steel	Cargo hauler volume:		20"	19"	53"
Finish :	Black Anodized			330 liters		

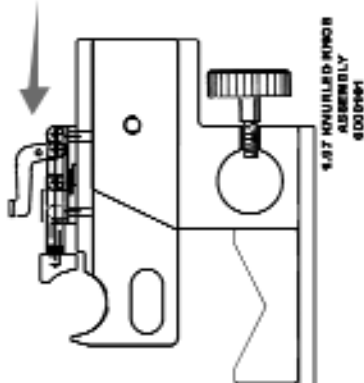
## PARTS LIST

PART #	QTY	DESCRIPTION	MATERIAL
NCO5042	2	<b>STANCHION ASSEMBLY</b>	6061-T6 ALUMINUM
6000110	4	BALL PLUNGER	STAINLESS STEEL
6000117	2	WASHER	STAINLESS STEEL
NCO5006	2	STANCHION KNOB	POLYMER
NCO1060	2	<b>SUPPORT TUBE</b>	6061-T6 ALUMINUM
NCO5043	2	<b>STRETCHER CLAMP ASSEMBLY</b>	6061-T6 ALUMINUM
6000111	4	CAP SCREW	STAINLESS STEEL
6000112	4	LOCK WASHER	STAINLESS STEEL
NCO5049	2	<b>Cross member ASSEMBLY</b>	6061-T6 ALUMINUM
6000100	4	KNURLED KNOB (WITH SS STUD)	
6000103	4	RATCHET HANDLE (WITH SS STUD)	
6000115	4	SS SPRING	STAINLESS STEEL
6000117	12	WASHER	STAINLESS STEEL
NCO1113	4	TOP CLAMP	
NCO5033	2	<b>SUPPORT TUBE RAIL ASSEMBLY</b>	6061-T6 ALUMINUM
NCO5032	4	<b>HANDLE SUB-ASSEMBLY</b>	6061-T6 ALUMINUM
NCO5035	2	<b>KICKSTAND CLAMP ASSEMBLY</b>	6061-T6 ALUMINUM
NCO3015	1	KICKSTAND (R)	6061-T6 ALUMINUM
NCO3015	1	KICKSTAND (L)	6061-T6 ALUMINUM
NCO1082	1	CONNECTOR TUBE	6061-T6 ALUMINUM
6000107	2	SNAP BUTTON	STAINLESS STEEL
6000134	2	CRUTCH TIP	RUBBER
8010	1	<b>AXLE ASSEMBLY</b>	
	1	35" AXLE ASSEMBLY	6061-T6 ALUMINUM
6000109	2	RUE PIN	STAINLESS STEEL
NCO5025	2	<b>WHEEL ASSEMBLY</b>	NYLON
6000133	4	BEARING	STAINLESS STEEL
6000134	2	TIRE	URETHANE
		<b>CANVAS COMPONENTS</b>	
2053810	1	BAG-CARRY	1000 DENIER NYLON

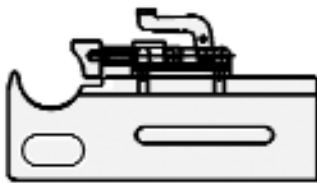
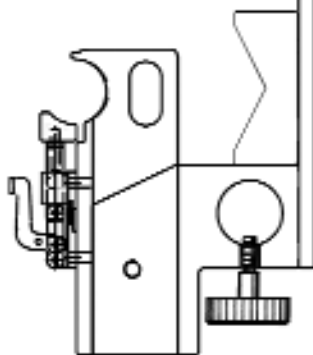
# PARTS IDENTIFICATION



**STRETCHER CLAMP  
6000224**



**STRETCHER CLAMP ASSEMBLY  
NCO5075**



**STRETCHER CLAMP  
RECEIVER ASSEMBLY  
NCO5063**

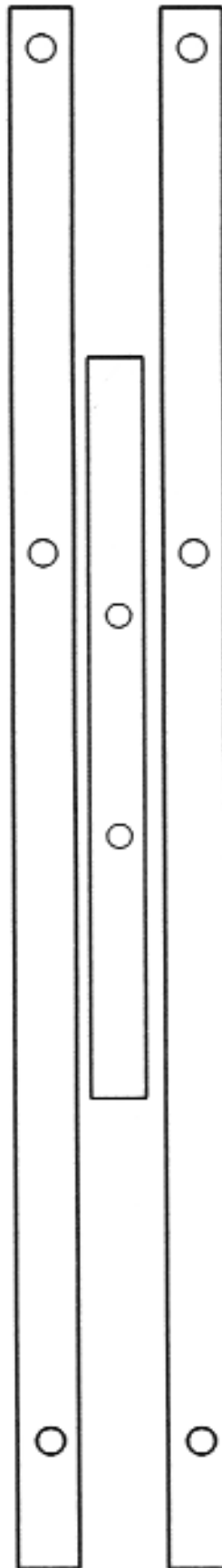


**RATCHET HANDLE  
6000103**



**IV BLOCK  
NCO1196**

**SUPPORT TUBE  
ASSEMBLY  
NCO5033**



**STAINLESS STEEL  
SNAP BUTTON  
6000144**



**HANDLE  
SUB-ASSEMBLY  
NCO5032**



**NOTE:  
SUPPORT TUBE ASSEMBLY  
NCO5033 INCLUDES  
2 HANDLE SUB-ASSEMBLYS  
NCO5032**

# **LIMITED WARRANTY**

North Coast Outfitters Ltd. warrants each new product of our manufacturing according to the following terms.

This warranty extends for the lifetime of the product as long as the original retail purchaser owns it. This warranty extends to the original retail purchaser only and commences on the date of original retail purchase. Accordingly, this warranty is not transferable to any subsequent purchasers.

Any part of manufactured or supplied by North Coast Outfitters Ltd. and found in the reasonable judgment of North Coast Outfitters Ltd. to be defective in material or workmanship will be repaired or replaced by North Coast without charge for parts or labor.

Any defective part must be returned to North Coast Outfitters Ltd. The owner will pay for the expense of returning the defective part to North Coast Outfitters, Ltd. and the expense of returning it back to the owner after repair or replacement. North Coast Outfitters Ltd. responsibility in respect to warranty claims is limited to making the required repairs or replacements within 60 days, and no claim of breach of warranty shall be cause for cancellation or rescission of the contract of sale of any North Coast Outfitters, LTD. product.

Proof of purchase will be required by North Coast Outfitters Ltd. to substantiate any warranty claim. North Coast Outfitters Ltd. must perform all warranty work.

If our products are used commercially for such purposes as rental or other income-producing activities, then this warranty is limited to one (1) year from the date of original retail purchase. Military use is considered commercial use.

This warranty does not cover any product that has been subject to misuse, neglect, negligence, or accident, or that has been operated in any way contrary to the operating instructions. The warranty does not apply to any damage to our product that is the result of improper maintenance or to any parts that have not been assembled or installed as specified in assembly instructions. The warranty does not cover any product that has been altered or modified so as to adversely affect the product's operation, performance or durability, or that has been altered or modified to change its intended use. In addition, the warranty does not extend to repairs made necessary by normal wear, or by the use of parts or accessories which are either incompatible with or adversely affects the products operation, performance or durability. North Coast Outfitter's Ltd. reserves the right to change or improve the design of any of our products without assuming any obligation to modify any product previously manufactured.

ALL IMPLIED WARRANTIES ARE LIMITED IN DURATION TO ONE (1) YEAR FROM DATE OF PURCHASE. ALL IMPLIED WARRANTIES, INCLUDING MERCHANTABILITY, AND FITNESS FOR A PARTICULAR PURPOSE, OR OTHERWISE, ARE DISCLAIMED IN THEIR ENTIRETY AFTER ONE YEAR. THERE ARE NO WARRANTIES, WHICH EXTEND BEYOND THE DESCRIPTION ON THE FACE HEREOF. NORTH COAST OUTFITTERS LTD. OBLIGATION UNDER THIS WARRANTY IS STRICTLY AND EXCLUSIVELY LIMITED TO THE REPAIR OR REPLACEMENT OF DEFECTIVE PARTS AND NORTH COAST OUTFITTERS, LTD. DOES NOT ASSUME OR AUTHORIZE ANYONE TO ASSUME FOR THEM ANY OTHER OBLIGATION.

SOME STATES DO NOT ALLOW LIMITATIONS ON IMPLIED WARRANTIES, SO THE ABOVE LIMITATION MAY NOT APPLY TO YOU.

NORTH COAST OUTFITTERS LTD. ASSUMES NO RESPONSIBILITY FOR INCIDENTAL, CONSEQUENTIAL OR OTHER DAMAGES INCLUDING, BUT NOT LIMITED TO, EXPENSE OF RETURNING DEFECTIVE PRODUCT TO NORTH COAST OUTFITTERS, LTD. AND THE EXPENSE OF RETURNING IT BACK TO THE OWNER, TELEPHONE CHARGES, RENTAL OF A LIKE PRODUCT DURING THE TIME OF WARRANTY SERVICE IS BEING PERFORMED, TRAVEL, LOSS OR DAMAGE TO PERSONAL PROPERTY, LOSS OF REVENUE, LOSS OF USE OF THE PRODUCT, LOSS OF TIME OR INCONVENIENCE.

SOME STATES DO NOT ALLOW THE EXCLUSION OR LIMITATION OF INCIDENTAL OR CONSEQUENTIAL DAMAGES, SO THE ABOVE LIMITATION OR EXCLUSION MAY NOT APPLY TO YOU.

This warranty gives you specific legal rights and you may also have other rights, which vary from state to state.

NORTH COAST OUTFITTERS LTD.  
1029 East Main Street  
Riverhead, New York 11901  
631 727-5580  
[www.northcoastoutfitters.com](http://www.northcoastoutfitters.com)